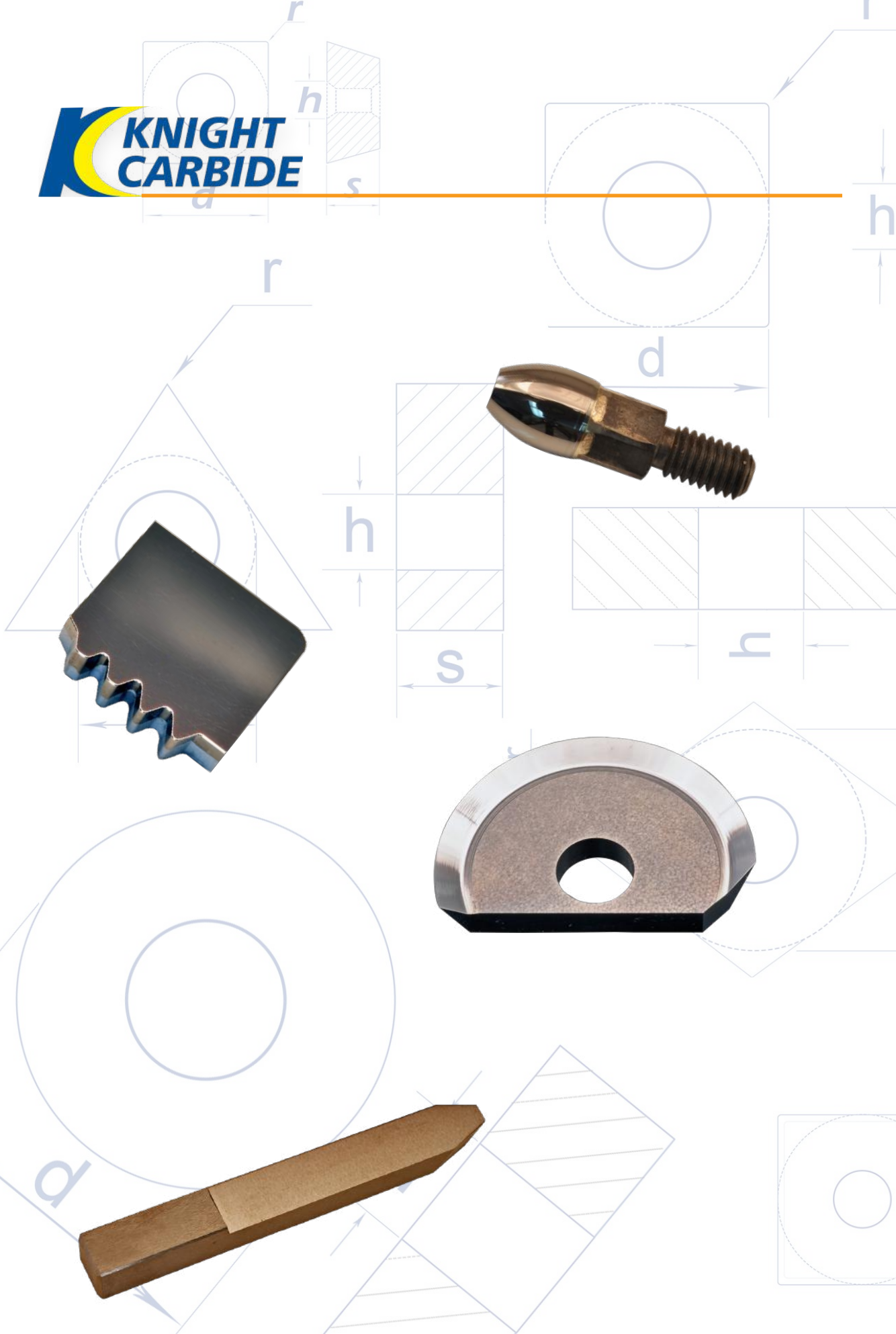




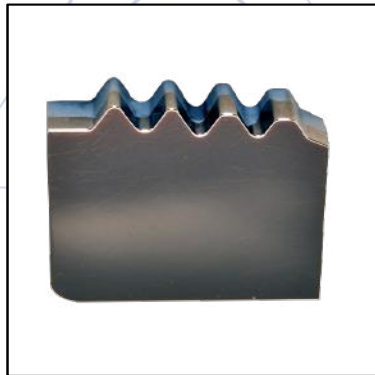
Unique Inserts



Unique Inserts



COPPER TUBE EXPANDER	EDP #	A - DIM SIZE
CTE5 "A"	PG1555	.267 / .309
CTE6 "A"	PG1556	.321 / .375



THREAD CHASERS	EDP #
Internal API Buttress	PG1557
External API Buttress	PG1558
Internal API Round	PG1559
External API Round	PG1560



GEAR BLADES	EDP #	L	W	T
GSB-R	PG1561	4.124	.520	.420
GSB-L	PG1562	4.124	.520	.420



HIP DISKS	EDP #	DIM SIZE
Medical Implant Cutting Tool	PG1563	22, 26, 28, 32, 36, 40 mm