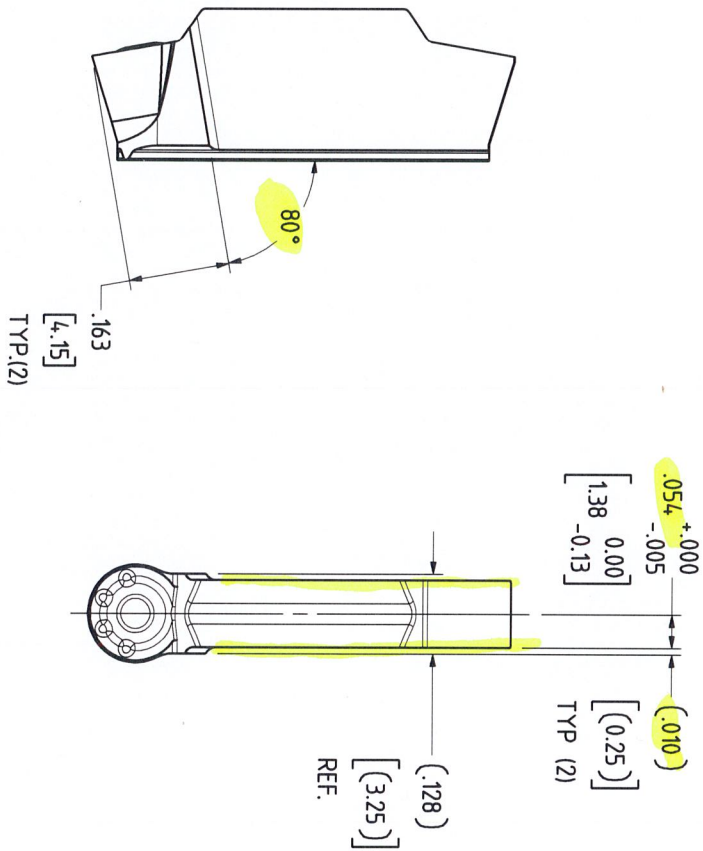




~~Proposal Drawing Do Not Use For Manufacture~~



MAKE FROM : LCMR1604M0-0400-MP CP500 (EDP 16807)
ALTER AS SHOWN
DO NOT COAT

KC21123

| | |
|--|--------|
| Marking | |
| Seco Logo | |
| Product Number | 100880 |
| Customer Tool No. | |
| Date (m/y) - Country Code - Work Order | |

| | | | | | |
|-------------------|----------|-------------------------|----------|-------------|--|
| Designation | | Title | | Drawing no. | |
| N-LC1604-10039306 | | SECO SPECIAL MDT INSERT | | | |
| Item | Date | Item type | Replaces | Rev. | |
| usdtref | 15-06-20 | Proposa drawing | | 0 | |

| | | | |
|------|--------------|------|------|
| Rev. | Modification | Date | Name |
| | | | |